

IT-SSA8F-IR

With 8 high power LEDs for a total power consumption of 12W, beam angle 15° to 120°, beam distance 100m to 15m, the IT-SSA8F-IR is an IR Illuminator with a high service of life.

- Wavelength 740nm/850nm/940nm.
- 30.000 hours lifetime LEDs.
- Extended working temperature range -20 to 50°C.
- 1-2 years warranty.



IR LAMP

HI-POWER
LEDENERGY
SAVINGAUTO D/N
CONTROL

Product Family

The IT-SSA8F-IR is part of the high-power Compact IR Illuminators series that is the quality LED light source solution for night-time illumination, providing high-power infrared light for CCTV and IP cameras to enhance night-time visual performance.

Product Features

- Die casting aluminum housing, strong and durable.
- Support brightness adjustment.
- Support light sensor sensitivity adjustment.
- IR pass panel, delicate and covert.
- IP66 waterproof.

Technical Specifications

LED type: 8 pieces high power 1W IR LEDs

Wavelength: 740nm/850nm/940nm

Beam angle: 15° to 120°

Beam distance: 100m to 15m (850nm)

Bracket: Wall mount bracket

Working voltage: AC110-220V

Power consumption: <12W

Day & Night switch: 0-50LUX adjustable

Brightness adjust: 5%-100% adjustable

Working temperature: -20°C to 50°C

Protection level: IP66

Color: White

Panel: Tempered glass panel with IR passing filter

Housing: Aluminum die-casting housing

Net weight: 0.9 kg

Gross weight: 1 kg



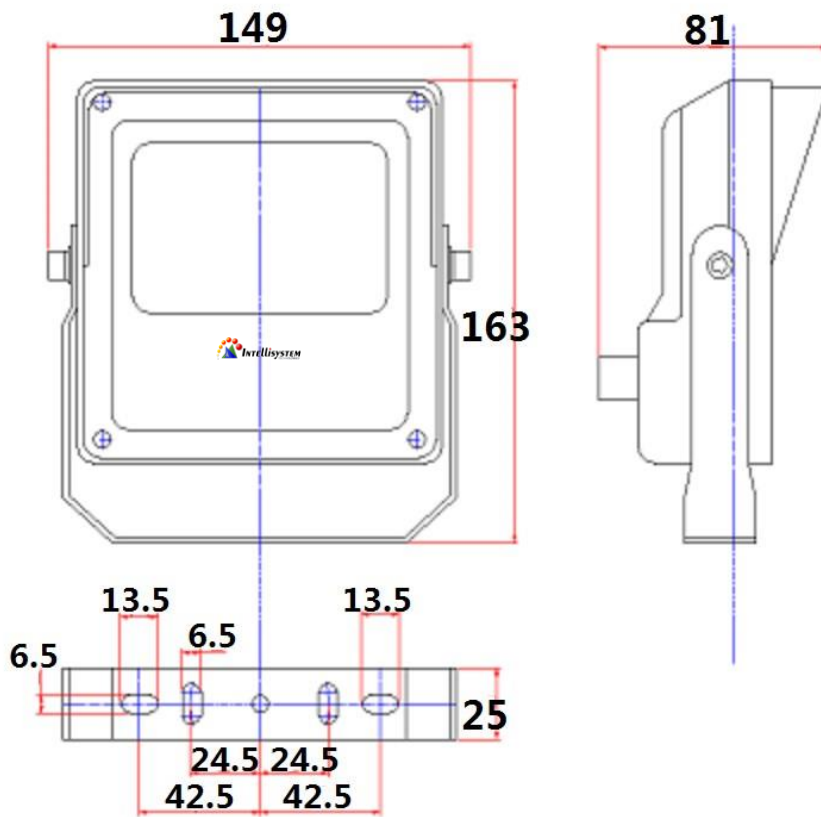
Models for Selection

Model	Beam angle	Viewing IR distance
IT-SSA8F-15-IR	15°	1m - 100m
IT-SSA8F-30-IR	30°	1m - 70m
IT-SSA8F-45-IR	45°	1m - 50m
IT-SSA8F-60-IR	60°	1m - 35m
IT-SSA8F-90-IR	90°	1m - 25m
IT-SSA8F-120-IR	120°	1m - 15m

**Viewing IR distance is tested by Sony 1/3 CCD Camera and 850nm IR LEDs.*

To achieve the distance needed, please pay attention to your camera specifications and lens before purchase. It is normal phenomenon that distance may vary due to different cameras and lens.

Mechanical Drawings



Viewing Picture at Night



With IR



Without IR